

LEAD FREE

DWG. NO. SD-35363-002

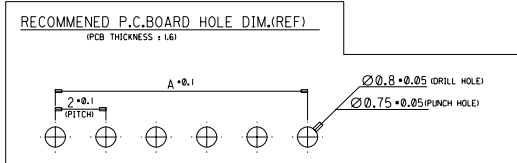
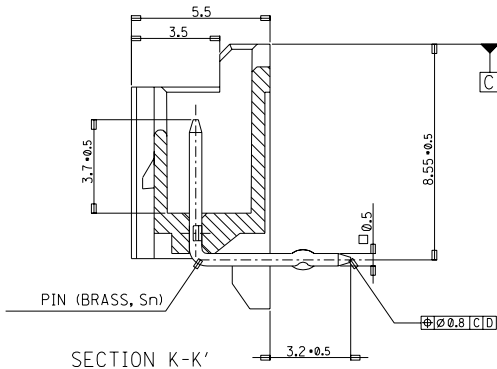
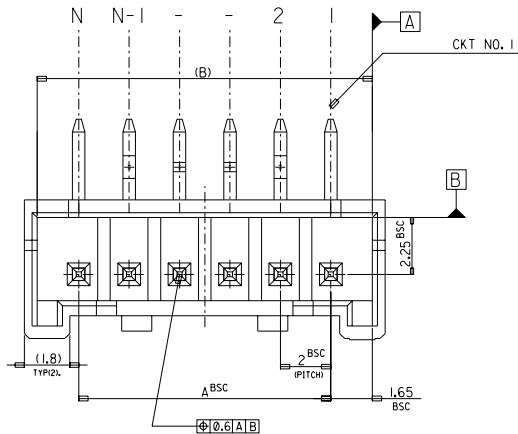
SIMILAR ITEM

PROJECT NO.

C

B

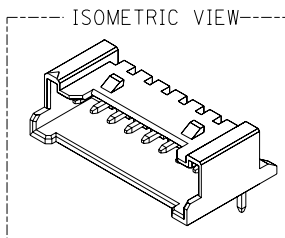
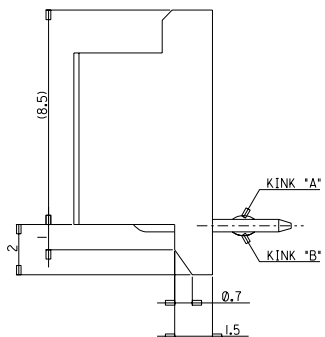
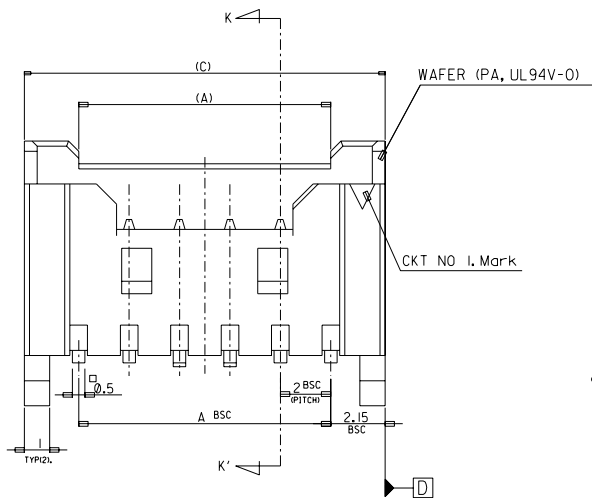
DO NOT SCALE DRAWING  
DIMENSION IN METRIC



**LEGEND**

SD-35363-\*\*-\*\* 6 \* COLOR

- 0 : NATURAL
- 1 : BLACK
- 2 : RED
- 3 : YELLOW
- 4 : BLUE
- 5 : GREEN



32.3	31.3	28	-156*	-156*	15
30.3	29.3	26	-146*	-146*	14
28.3	27.3	24	-136*	-136*	13
26.3	25.3	22	-126*	-126*	12
24.3	23.3	20	-116*	-116*	11
22.3	21.3	18	-106*	-106*	10
20.3	19.3	16	-096*	-096*	9
18.3	17.3	14	-086*	-086*	8
16.3	15.3	12	-076*	-076*	7
14.3	13.3	10	-066*	-066*	6
12.3	12.3	8	-056*	-056*	5
10.3	9.3	6	35363046*	35363-046*	4
(C)	(B)	A	MATERIAL NO.	ENG. NO.	CKT

**NOTES**

- MATERIAL : WAFER : POLYAMIDE(PA), NO GLASS, UL94V-0  
PIN : BRASS
- FINISHES : TERMINAL : Sn 2\*3um OVERALL
- PRODUCT SPECIFICATION : PS-35507-003
- MATING HOUSING : 35507-\*\*-0\*  
MATING TERMINAL : 50212-8000
- KINK

CKT NO	1	2	3	4	5	N-2	N-1	N
6 CKT OVER	-	A	B	-	-	B	A	-
5 CKT	A	B	-	B	A			
4 CKT	A	B	B	A				

30 over	±0.3
10 over 30 under	±0.25
10 under	±0.2
ANGLE	±3°
GENERAL TOLERANCE	A

Release	KOR2004-037
EC NO.	KOR2004-037
DRWN:	YSOOKIM 04/02/24
CHK:	JKOH
APPR:	CWLEE
DESCRIPTION	
REV	A

QUALITY SYMBOLS

MAJOR =

CRITICAL =

GENERAL TOLERANCES: (UNLESS SPECIFIED)

	mm	INCH
4 PLACES	±0.	±.
3 PLACES	±0.	±.
2 PLACES	±0.	±.
1 PLACE	±0.	±.

ANGULAR: ±

DRAFT WHERE APPLICABLE MUST REMAIN WITHIN DIMENSIONS

SCALE 1:1

DESIGN UNITS  mm  INCH

THIRD ANGLE PROJECTION

DRAWN BY & DATE  
YSOOKIM 96/09/11

CHECKED BY & DATE  
J.K.Oh 96/09/11

APPROVED BY & DATE  
C.W.Lee 96/09/11

CAD FILENAME  
SD35363-002S1.DGN

TITLE: NEW 2.0 W/B CONN  
WAFER ASSY (R/A) (LEAD FREE)

MOLEX INCORPORATED

MATERIAL NO. SEE NOTE

DRAWING NO. SD-35363-002

SHEET NO. 1 OF 3

THIS DRAWING CONTAINS INFORMATION THAT IS PROPRIETARY TO MOLEX INCORPORATED AND SHOULD NOT BE USED WITHOUT WRITTEN PERMISSION.

SIZE B

A

B

C

D

E

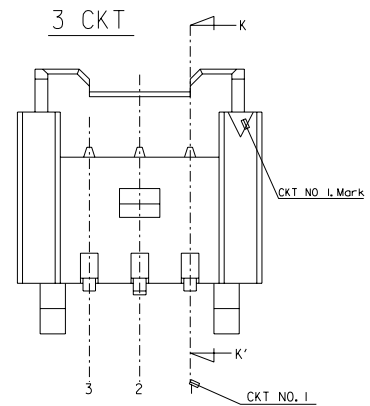
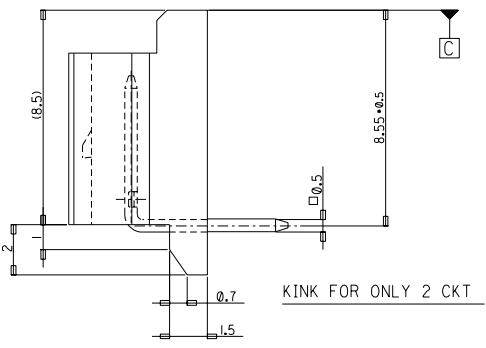
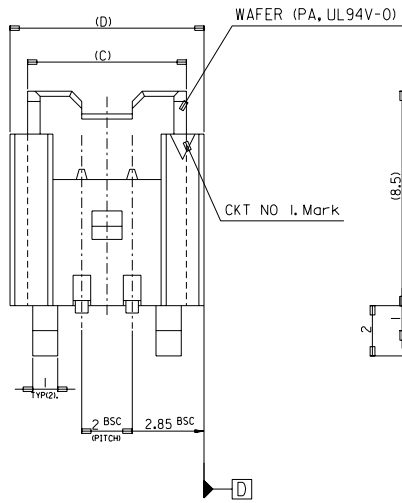
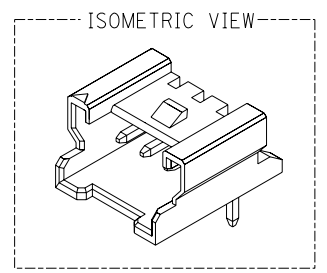
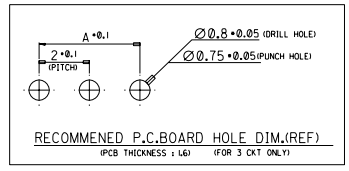
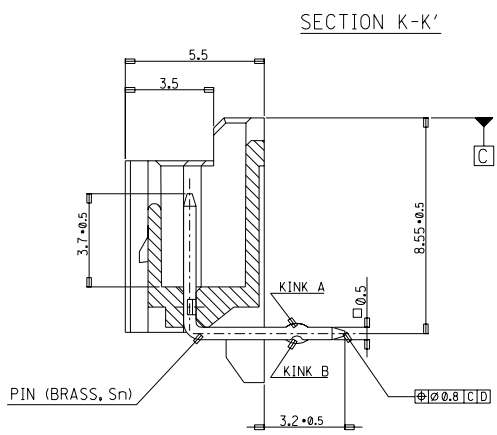
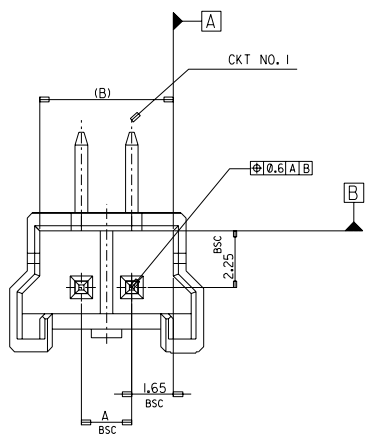
F

DWG. NO. SD-35363-002  
 SIMILAR ITEM  
 PROJECT NO.  
 C  
 B  
 DO NOT SCALE DRAWING DIMENSION IN METRIC

8 7 6 5 4 3 2

LEAD FREE

FOR 2 & 3 CKTS.



**LEGEND**

SD-35363-\*\*\*6\* COLOR

- 0 : NATURAL
- 1 : BLACK
- 2 : RED
- 3 : YELLOW
- 4 : BLUE
- 5 : GREEN

9.7	8.3	7.3	4	35363036*	-036*	3
7.7	6.3	5.3	2	35363026*	35363-026*	2
(D)	(C)	(B)	A	MATERIAL NO.	ENG. NO.	CKT

- NOTES**
- MATERIAL : WAFER : POLYAMIDE(PA), NO GLASS, UL94V-0  
PIN : BRASS
  - FINISHES : TERMINAL : Sn 2+3um OVERALL
  - PRODUCT SPECIFICATION : PS-35507-003
  - MATING HOUSING : 35507-\*\*\*0\*  
MATING TERMINAL : 50212-8000
  - KINK

CKT NO	1	2	3
2 CKT	NONE	KINK	
3 CKT	A	B	A

30 over	+0.3
10 over 30 under	±0.25
10 under	±0.2
ANGLE	±3°
GENERAL TOLERANCE	A

Release  
 EC NO. KOR2004-0137  
 DRWN: YSOOKIM 04/02/24  
 CHK: JKOH  
 APPR: CWLEE

MAJOR  
 CRITICAL

DESCRIPTION  
 REV

QUALITY SYMBOLS

GENERAL TOLERANCES: (UNLESS SPECIFIED)

	mm	INCH
4 PLACES	±0.	±.
3 PLACES	±0.	±.
2 PLACES	±0.	±.
1 PLACE	±0.	±.

ANGULAR: ±

DRAFT WHERE APPLICABLE MUST REMAIN WITHIN DIMENSIONS

SCALE 1 : 1

DESIGN UNITS  mm  INCH

THIRD ANGLE PROJECTION

DIMENSIONS:  mm  INCH  mm ONLY

SHT REV

REVISE ON CAD ONLY

DRAWN BY & DATE  
 YSOOKIM 96/09/11

CHECKED BY & DATE  
 J.K.Oh 96/09/11

APPROVED BY & DATE  
 C.W.Lee 96/09/11

CAD FILENAME  
 SD35363-001S2.DGN

TITLE:  
 NEW 2.0 W/B CONN  
 WAFER ASSY (R/A) (LEAD FREE)

MATERIAL NO. SEE NOTE

DRAWING NO. SD-35363-002

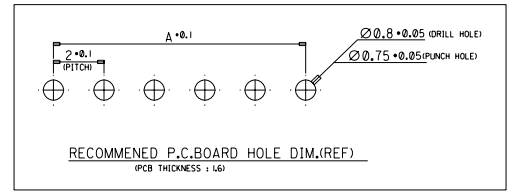
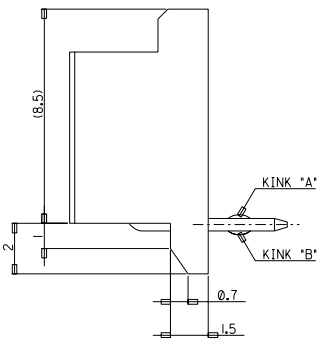
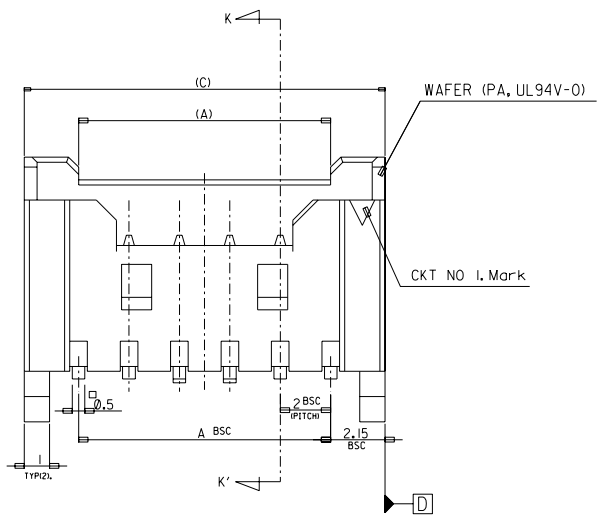
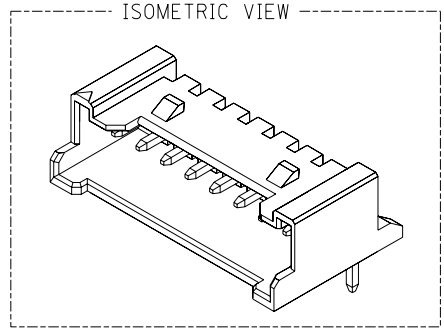
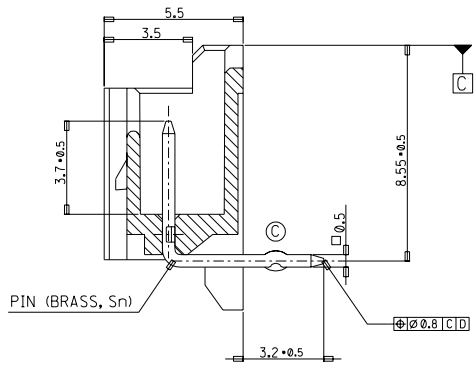
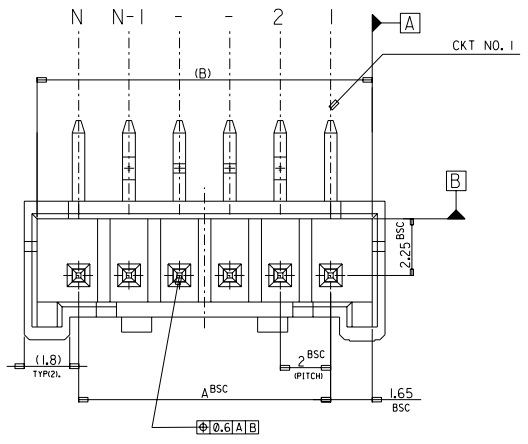
SHEET NO. 2 OF 3

THIS DRAWING CONTAINS INFORMATION THAT IS PROPRIETARY TO MOLEX INCORPORATED AND SHOULD NOT BE USED WITHOUT WRITTEN PERMISSION.

SIZE B

8 7 6 5 4 3 2 MX-A3

LEAD FREE



LEGEND	
SD-35363-**-**	6 * COLOR
CTK NO.	0 : NATURAL
LEAD FREE	1 : BLACK
	2 : RED
	3 : YELLOW
	4 : BLUE
	5 : GREEN

42.3	41.3	38	35363206*	35363-206*	20
(C)	(B)	A	MATERIAL NO.	ENG. NO.	CKT

- NOTES
- MATERIAL : WAFER : POLYAMIDE(PA), NO GLASS, UL94V-0  
PIN : BRASS
  - FINISHES : TERMINAL : Sn 2±3um OVERALL
  - PRODUCT SPECIFICATION : PS-35507-003
  - MATING HOUSING : 35507-\*\*-0\*  
MATING TERMINAL : 50212-8000
  - KINK

CKT	CKT NO	1	2	3	4	N-3	N-2	N-1	N
20	-	A	B	-	-	B	A	-	-

30 over	±0.3
10 over 30 under	±0.25
10 under	±0.2
ANGLE	±3°
GENERAL TOLERANCE	

Release	EC NO. KOR2004-0137	QUALITY SYMBOLS
DRWN: YSOOKIM 04/02/24	CHK: JKOH	MAJOR
APPR: CWLEE		CRITICAL
DESCRIPTION		
REV		

GENERAL TOLERANCES: (UNLESS SPECIFIED)	
mm	INCH
4 PLACES	±0.1
3 PLACES	±0.1
2 PLACES	±0.1
1 PLACE	±0.1
ANGULAR: ±	
DRAFT WHERE APPLICABLE MUST REMAIN WITHIN DIMENSIONS	

SCALE 1:1	DESIGN UNITS <input checked="" type="checkbox"/> mm <input type="checkbox"/> INCH
DRAWN BY & DATE	
Y.SOOKIM 98/04/23	
CHECKED BY & DATE	
J.K.Oh 98/04/23	
APPROVED BY & DATE	
C.W.Lee 98/04/23	
CAD FILENAME	SD35363-002S3.DGN

DIMENSIONS: <input type="checkbox"/> mm <input type="checkbox"/> INCH <input checked="" type="checkbox"/> mm ONLY		SHT	REV
THIRD ANGLE PROJECTION			
TITLE: NEW 2.0 W/B CONN			
WAFER ASSY (R/A) (LEAD FREE)			
MOLEX INCORPORATED			
MATERIAL NO.	DRAWING NO.	SHEET NO.	REV
SEE NOTE	SD-35363-002	3 OF 3	
THIS DRAWING CONTAINS INFORMATION THAT IS PROPRIETARY TO MOLEX INCORPORATED AND SHOULD NOT BE USED WITHOUT WRITTEN PERMISSION.			SIZE B

DO NOT SCALE DRAWING DIMENSION IN METRIC

PROJECT NO. SIMILAR ITEM DWG. NO. SD-35363-002

F B E D C B A